

Technical Data Sheet

Series: **Xenon**

Article code: **44CR5150**

Description:

Bath mixer with shower set.

Materials:

Brass

Surface finish Chrome:

14 micron Nickel

0.3 microm Chrome

Finishings



CR

AA



Features



Cartridge diam. 35 mm with 2 ceramic disks, with 25° opening angle, and 90° mixing angle. We use only certified white lubricant into our mixers and cartridges.



Aerator Male thread 28x1

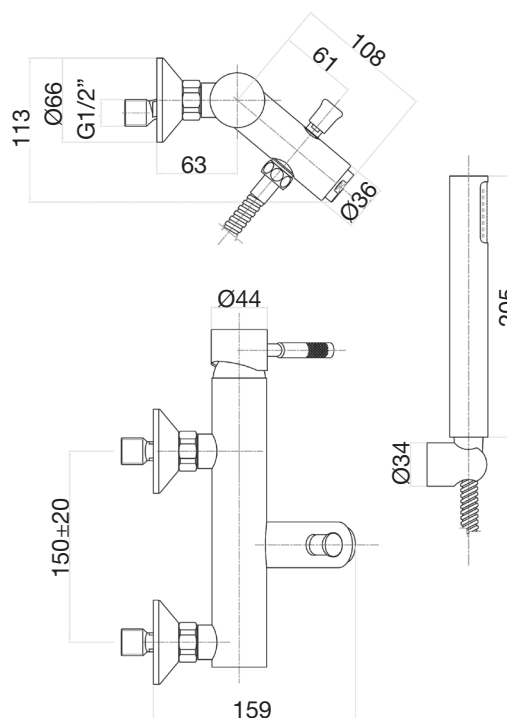


Forged solid brass wall connector with brass rosette
Long ¾ nut for wall connection
150 mm wheelbase body with adjusting wall connector from 130mm to 170mm

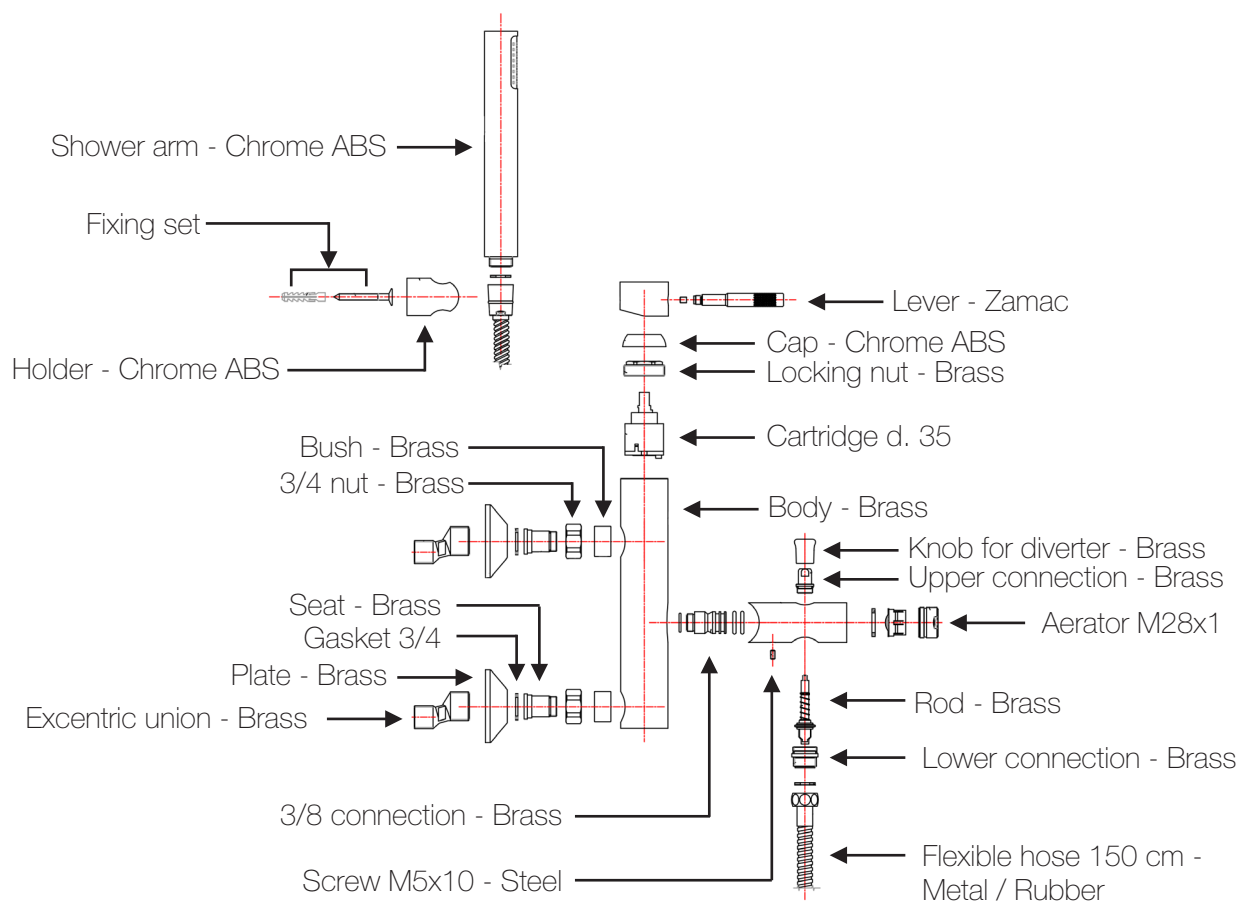


Automatic solid brass diverter with stainless steel spring
90° turning locking diverter to be also used in case of low pressure

Suitable for electrical water heater



Technical Data Sheet



Maintenance

Product care also includes regularly cleaning the aerator filter from impurities and/or lime scale. For correct decalcification, disassemble the aerator and place it into diluted vinegar (max concentration: 10% at 20°C) to remove lime scale deposits and/or dirt from the aerator filters. Leave it to soak for a few hours, and then rinse using only water.

Cleaning recommendation for products and care of finish

Chrome: the chrome surfaces can be cleaned with a mild detergent or with neutral soap and water.

Color finishes: taps with colored finishes should be cleaned only with a cloth and water.

Never use detergents containing mineral acids (ex. hydrochloric acid), aggressive acids (ex. acetic acid), bases (ex. ammonia) phosphoric acid or other aggressive substances, as they can cause significant damage.



www.fiore.it/catalogues